

Instant Hot Tap - Cartridge Replacement

The filter cartridge in your instant hot tap system needs to be changed every six months in order to ensure the system works at its optimum performance.

Changing the filter cartridge is a simple matter:

1. Switch off the heater tank either at the mains or by pressing the centre button on the heater tank touch screen.
*****Important Notice*** – run off all hot water until just cold water is coming out of the tap.**
2. Place a small bowl under the filter housing sump to catch the small amount of water that will be released when removing the filter housing sump.
3. Turn the filter housing sump clockwise a quarter turn, to allow the filter housing sump to drop down from the filter housing head.
4. Once the sump is removed, unscrew the filter housing cap from the sump and tip any water out of the sump into the bowl or sink.
5. Remove the old filter by pulling the filter from the cap.
6. Dispose of the old filter in the normal household waste bin.
Remembering to keep the filter insert as you will need this for the replacement filter.
7. Fit the new filter by pushing the filter insert into the top of the filter then into the cap; you may need to wet the 'O' seals in the top of the filter as shown in the attached drawing referenced A. Always inspect the 'O' seals for damage; for replacements use contact details below.
8. Screw the sump back onto the cap (Ensuring that the 'O' seal is in place), referenced B.
9. Push the filter housing sump back into the filter housing head and turn anti-clockwise until it stops.

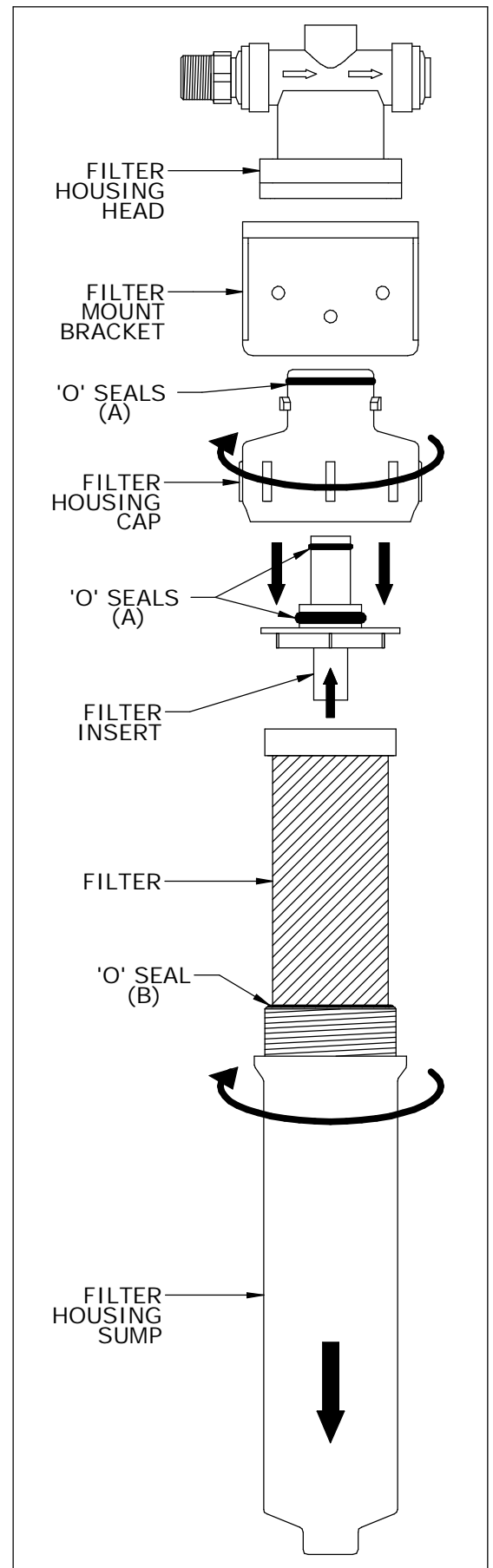
Important Notice

The filter is now ready to use – it is vitally important that you follow the process below to ensure that all air is bled from the system. **Place a jug under the spout as water will splutter from the spout until all of the air is expelled.**

Operate the instant hot tap lever to dispense water, run-off at least 1.5 litres of water, let the system rest for at least 30 seconds and run another 1.5 litres of water, repeat this at least one more time – your instant hot water tap should now be ready for use.

You must now thoroughly check the unit for any water leaks and take this opportunity to check for any excess wear or damage to the system. If there are no leaks please continue:

10. Now switch the heater tank back on at the mains, or by pressing the button in the centre of the heater tank touch screen.
11. Set the desired temperature by pressing the right hand button until the desired temperature is displayed (usually 99 degrees)
12. Press the left hand button to confirm the temperature setting.
13. The heater tank will now heat up to the desired temperature and once completed the system is ready for use.

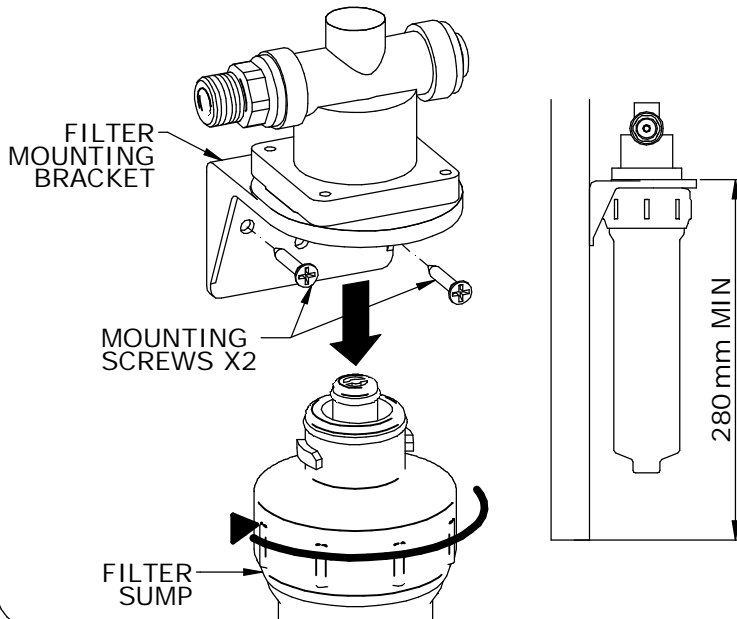


If you have any concerns or difficulties please contact our customer service team on:

Instant Hot Tap - Filter Installation

IT IS VERY IMPORTANT THAT BEFORE YOU START INSTALLING THIS FILTER SYSTEM YOU ENSURE YOU HAVE READ THE INSTALL GUIDES THAT CAME WITH THE TAP AND THE HEATER TANK.

1. Fixing Mounting Bracket

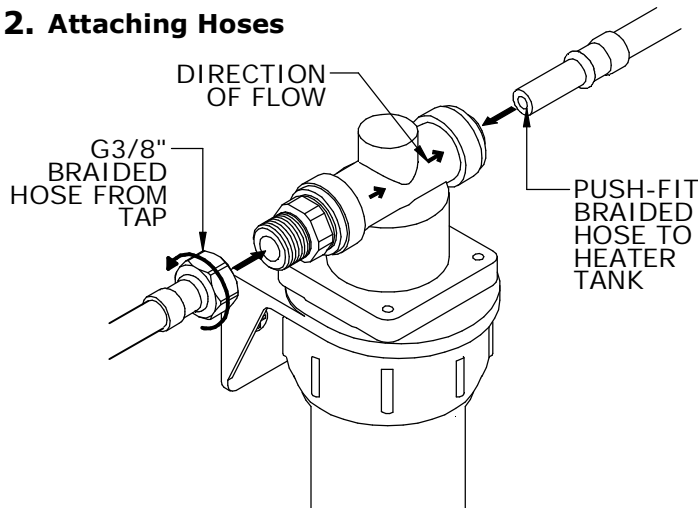


First you will need to remove the filter sump. This can be done by turning the sump a quarter turn clockwise and pulling down.

Fix the filter mounting bracket to the inside of the cupboard with the screws provided, using the bracket as a template for drilling the holes. Making sure:

- There is enough room underneath the filter housing for filter replacement and maintenance.
- The housing is close enough to the heater tank & tap so that hoses are not over stretched.
- The housing is accessible for future maintenance & filter replacement.

2. Attaching Hoses



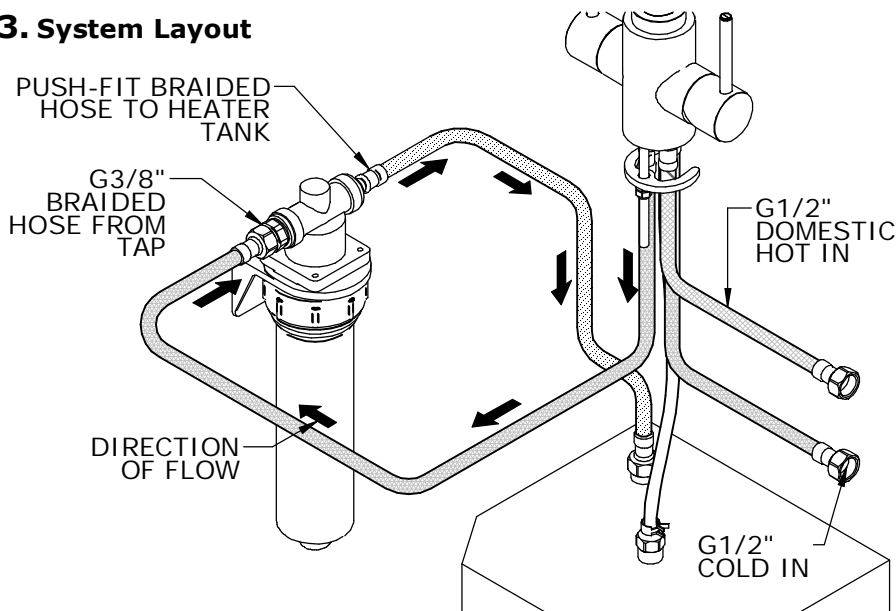
**** Make sure all hoses are free of kinks ****

Attach the G3/8" braided hose from the tap to the threaded side of the filter housing.

Press the push-fit connector, on supplied hose, to the other side of the filter housing. Attach the other end of this braided hose to the top of the heater tank as shown below.

Please now thoroughly check the unit for any water leaks before you continue.

3. System Layout



Important Notice

The filter is nearly ready to use – it is vitally important that you ensure that all air is bled from the system. Do this by:

Place a jug under the spout as water will splutter from the spout until all of the air is expelled.

Operate the instant hot tap lever to dispense water, run-off at least 1.5 litres of water, let the system rest for at least 30 seconds and run another 1.5 litres of water, repeat this at least one more time – your instant hot water tap should now be ready for use.